

## Restek innovation!



Simply slip the weldment removal tool over the weldment, then twist and remove the weldment. For speed and efficiency, the weldment stays secured in the weldment removal tool until you reattach it.

**EZ Twist Top® Split/Splitless Injection Ports for Agilent GCs**

- Change inlet liners faster and more easily.
- Gas lines are attached to shell weldment bottom to help eliminate broken gas lines.
- Gas lines don't interfere with routine maintenance.
- Weldment removal tool allows for quick removal of the hot weldment without fingers ever touching hot surfaces.
- Weldment stays secure in the tool for reattachment.

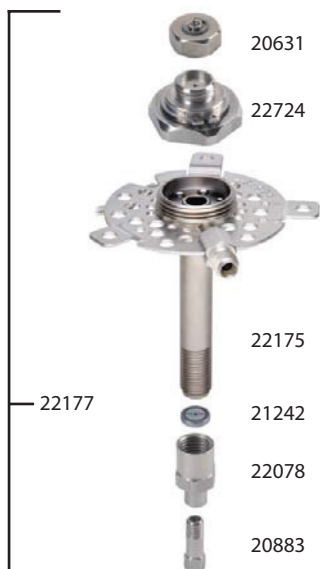
The importance of injection port maintenance has been well documented by instrument and column companies industry wide. Restek has made it easy to carry out this maintenance with the innovation of our EZ Twist Top® injection port.

Get the EZ Twist Top Advantage	Restek EZ Twist Top	Agilent Flip Top
Eliminate damaged gas lines	x	
Siltek deactivation for enhanced inertness & durability	x	
Avoid touching hot metal surfaces—weldment tool included	x	

**EZ Twist Top® Split/Splitless Injection Port for Agilent 7890 GCs**

Description	qty.	cat.#
<b>Injection Port Assembly Kit</b> Includes: weldment, shell weldment, 2 weldment O-rings, Siltek dual Vespel ring inlet seal, septum nut, reducing nut, stainless steel capillary nut for use with 1/16" ferrules, and weldment removal tool	kit	22177
<b>Injection Port Assembly Kit, Siltek Treated</b> Includes: Siltek weldment, Siltek shell weldment, 2 weldment O-rings, Siltek dual Vespel ring inlet seal, septum nut, reducing nut, stainless steel capillary nut for use with 1/16" ferrules, and weldment removal tool	kit	22178
Weldment (2 weldment O-rings are installed on the weldment)	ea.	22724
Weldment, Siltek Treated (2 weldment O-rings are installed on the weldment)	ea.	22732
Shell Weldment	ea.	22175
Shell Weldment, Siltek Treated	ea.	22176
Weldment O-rings	10-pk.	22729
Septum Nut, Autosampler & PTV (for 23-gauge needles)	ea.	20631
Stainless Steel Capillary Column Nut (for use with standard 1/16" ferrules)	2-pk.	20883
Reducing Nut	ea.	22078
0.8 mm Dual Vespel Ring Inlet Seal, Siltek-Treated	2-pk. 10-pk.	21242 21243
Weldment Removal Tool	ea.	22728

Visit [www.restek.com/slideshows](http://www.restek.com/slideshows) for an educational video on our EZ Twist Top® injection port system.

**Which EZ Twist Top® injection port should you buy?**

The type of split vent trap you have connected to the EPC module/block on your 6890/6850 Agilent GC determines which EZ Twist Top® Injection Port you need to buy.

Simply remove the top and rear panel on the GC and see if you have the small (pencil type) split vent filter (cat.# 22820) or the large canister type filter (cat.# 23031) attached to the split vent gas line. If you have the small (pencil type) split vent filter, you need the EZ Twist Top® injection port for Agilent 6890/6850 GCs (cat.# 22721 or 22722). If you have the large canister filter, you'll need the EZ Twist Top® with optional split vent for Agilent 6890/6850 GCs, for use with large canister type filters (cat.# 22735 or 22736).

### EZ Twist Top® Split/Splitless Injection Port

for Agilent 6850/6890 GCs With Large Canister-Type Filter

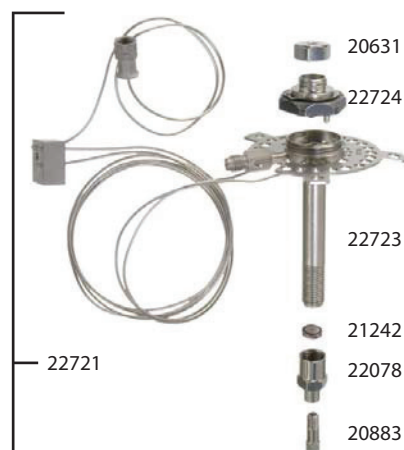
Description	qty.	cat.#
<b>Injection Port Assembly Kit</b>		
Includes: split/splitless weldment, shell weldment, 2 weldment O-rings, Siltek dual Vespel ring inlet seal, septum nut, reducing nut, stainless steel capillary nut for use with $\frac{1}{16}$ " ferrules, and weldment removal tool	kit	22735
<b>Injection Port Assembly Kit, Siltek Treated</b>		
Includes: Siltek split/splitless weldment, Siltek shell weldment, 2 weldment O-rings, Siltek dual Vespel ring inlet seal, septum nut, reducing nut, stainless steel capillary nut for use with $\frac{1}{16}$ " ferrules, and weldment removal tool	kit	22736
Optional Split/Splitless Shell Weldment	ea.	22733
Optional Split/Splitless Shell Weldment, Siltek Treated	ea.	22734



### EZ Twist Top® Split/Splitless Injection Port

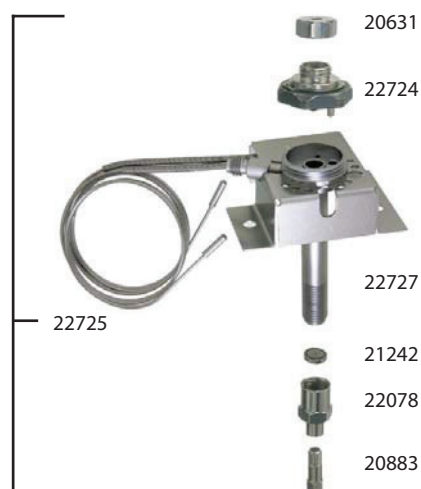
for Agilent 6850/6890 GCs with Pencil Traps

Description	qty.	cat.#
<b>Injection Port Assembly Kit</b>		
Includes: split/splitless weldment, shell weldment, 2 weldment O-rings, Siltek dual Vespel ring inlet seal, septum nut, reducing nut, stainless steel capillary nut for use with $\frac{1}{16}$ " ferrules, and weldment removal tool	kit	22721
<b>Injection Port Assembly Kit, Siltek Treated</b>		
Includes: Siltek split/splitless weldment, Siltek shell weldment, 2 weldment O-rings, Siltek dual Vespel ring inlet seal, septum nut, reducing nut, stainless steel capillary nut for use with $\frac{1}{16}$ " ferrules, and weldment removal tool	kit	22722
Weldment (2 weldment O-rings are installed on the weldment)	ea.	22724
Weldment, Siltek Treated (2 weldment O-rings are installed on the weldment)	ea.	22732
Shell Weldment	ea.	22723
Shell Weldment, Siltek Treated	ea.	22730
Weldment O-rings	10-pk.	22729
Septum Nut, Autosampler & PTV (for 23-gauge needles)	ea.	20631
Stainless Steel Capillary Column Nut (for use with standard $\frac{1}{16}$ " ferrules)	2-pk.	20883
Reducing Nut	ea.	22078
0.8 mm Dual Vespel Ring Inlet Seal, Siltek-Treated	2-pk.	21242
	10-pk.	21243
Weldment Removal Tool	ea.	22728



### EZ Twist Top® Split/Splitless Injection Port for Agilent 5890 GCs

Description	qty.	cat.#
<b>Injection Port Assembly Kit</b>		
Includes: split/splitless weldment, shell weldment, 2 weldment O-rings, Siltek dual Vespel ring inlet seal, septum nut, reducing nut, stainless steel capillary nut for use with $\frac{1}{16}$ " ferrules, and weldment removal tool	kit	22725
<b>Injection Port Assembly Kit, Siltek Treated</b>		
Includes: Siltek split/splitless weldment, Siltek shell weldment, 2 weldment O-rings, Siltek dual Vespel ring inlet seal, septum nut, reducing nut, stainless steel capillary nut for use with $\frac{1}{16}$ " ferrules, and weldment removal tool	kit	22726
Weldment (2 weldment O-rings are installed on the weldment)	ea.	22724
Weldment, Siltek Treated (2 weldment O-rings are installed on the weldment)	ea.	22732
Shell Weldment	ea.	22727
Shell Weldment, Siltek Treated	ea.	22731
Weldment O-rings	10-pk.	22729
Septum Nut, Autosampler & PTV (for 23-gauge needles)	ea.	20631
Stainless Steel Capillary Column Nut (for use with standard $\frac{1}{16}$ " ferrules)	2-pk.	20883
Reducing Nut	ea.	22078
0.8 mm Dual Vespel Ring Inlet Seal, Siltek-Treated	2-pk.	21242
	10-pk.	21243
Weldment Removal Tool	ea.	22728



**Split/Splitless Injection Ports for Agilent GCs**

Would you like better performance from your injector? Our Siltek®-treated split/splitless injector is a direct replacement for Agilent 5890 and 6890/6850 GCs, but Siltek® treatment passivates the metal surface to ensure an inert pathway for the sample, delivering increased performance. The injector is manufactured from high-quality stainless steel and meets or exceeds Agilent original equipment performance.



20265



20266

**Split/Splitless Injection Port**

(Direct Replacement or Siltek® Treated) for Agilent 5890 GCs

Description	Similar to Agilent Part #	qty.	cat. #
Replacement Weldment*	19251-60575	ea.	20265
Replacement Weldment*, Siltek Treated	19251-60575	ea.	20267
Replacement Shell Weldment	19251-80570	ea.	20266
Replacement Shell Weldment, Siltek Treated	19251-80570	ea.	20268

\*Cat.# 20265 and 20267 are for use with manual flow or EPC on Agilent 5890 GCs. For use with manual flow only on Agilent 6890/6850 GCs.



22674



22686



20265



22673

**Split/Splitless Injection Port**

(Direct Replacement or Siltek® Treated) for Agilent 6890/6850 GCs

Description	Similar to Agilent Part #	qty.	cat. #
Replacement Weldment with EPC	G1544-60575	ea.	22674
Replacement Weldment with EPC, Siltek Treated	G1544-60575	ea.	22672
Replacement Weldment*	19251-60575	ea.	20265
Replacement Weldment*, Siltek Treated	19251-60575	ea.	20267
Replacement Shell Weldment	G1544-80570	ea.	22673
Replacement Shell Weldment, Siltek Treated	G1544-80570	ea.	22671
Split/Splitless Weldment (for use with large canister-type filter)	G1544-60585	ea.	22686
Split/Splitless Weldment (for use with large canister-type filter), Siltek Treated	G1544-60585	ea.	22670

\*Cat.# 20265 and 20267 are for use with manual flow or EPC on Agilent 5890 GCs. For use with manual flow only on Agilent 6890/6850 GCs.

**Injection Port Weldments for Agilent GCs for Use With Purge and Trap Systems**

Easily attach your purge-and-trap with pre-installed low dead volume fittings.



22664

**Injection Port Weldments**

for Agilent GCs with Tekmar Purge and Trap Systems

Description	qty.	cat. #
Weldment for Agilent 6890 GCs	ea.	22664
Weldment for Agilent 6890 GCs with large canister-type filter	ea.	22668
Weldment for Agilent 5890 GCs	ea.	22666



22665

**Injection Port Weldments**

for Agilent GCs with OI Purge and Trap Systems

Description	qty.	cat. #
Weldment for Agilent 6890 GCs	ea.	22665
Weldment for Agilent 6890 GCs with large canister-type filter	ea.	22669
Weldment for Agilent 5890 GCs	ea.	22667